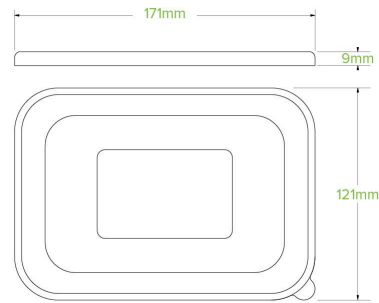


500-1,000ml BioBoard Takeaway CPLA Lid BB-LBL-CPLA



CPLA Rectangle Container Lids are made with plants, not oil, and are suitable for hot food. Matches our 500-1,000ml rectangular paper containers. Certified industrially compostable.

Carton quantity: 300	Sleeves per carton: 6	Units per sleeve: 50
Carton Size LxWxH (cm): 54x34x27	Carton gross weight (kg): 4.150000	Carton barcode: 19344062067945
Raw Material: Bioplastic - CPLA	Lining/coating: None	Window Material: None
Printing Type: None	Inks: None	Dimensions top LxW (mm): 177x126
Dimensions base LxW (mm): 177x126	Product Depth: 10	Thickness: N/A
Use: Hot, Cold, Wet & Dry Products	Manufactured: China	Customise: Emboss
MOQ custom: 100000	Mould fees: Yes - see custom packaging	Home compostable: No
Industrially compostable: Certified to AS4736 Australian Standards, Certified to EN13432 European Standard	Recyclable: No	